

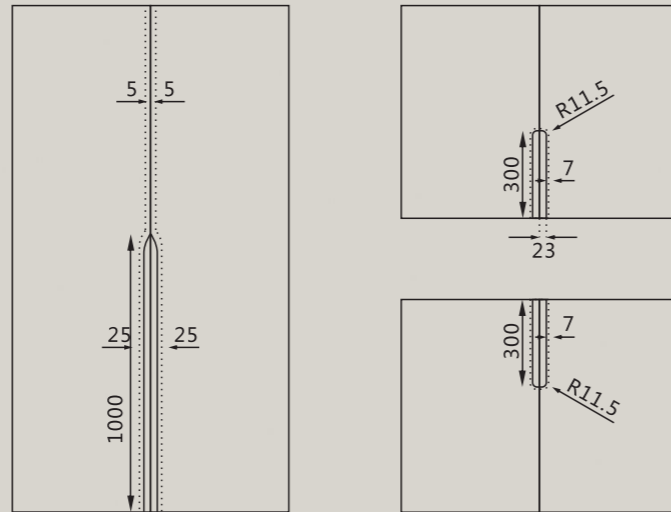
SERIES **5**



# POWDER COATED MDF BOARD

## ADVANTAGES:

- Handle free
- Flexible designs
- Custom shape
- Water proof
- Eco-friendly, No VOCs



## SPECIFICATION

**Surface**  
360° powder coated in matt surface

**Standard Size**  
Width: 180-1220mm  
Length: 180-2800mm

**Base material**  
MDF

**Thickness**  
18mm, 22mm, 25mm, Customized

**Board grade**  
Normal, E1, E0, Carb P2

**Color**  
Solid Color, Wood design color,

**Application**  
Commercial Furniture, Home Furniture  
Kitchen Cabinets, Drawers, Decorative Board, etc.



High Scratch Resistance



Long Durability



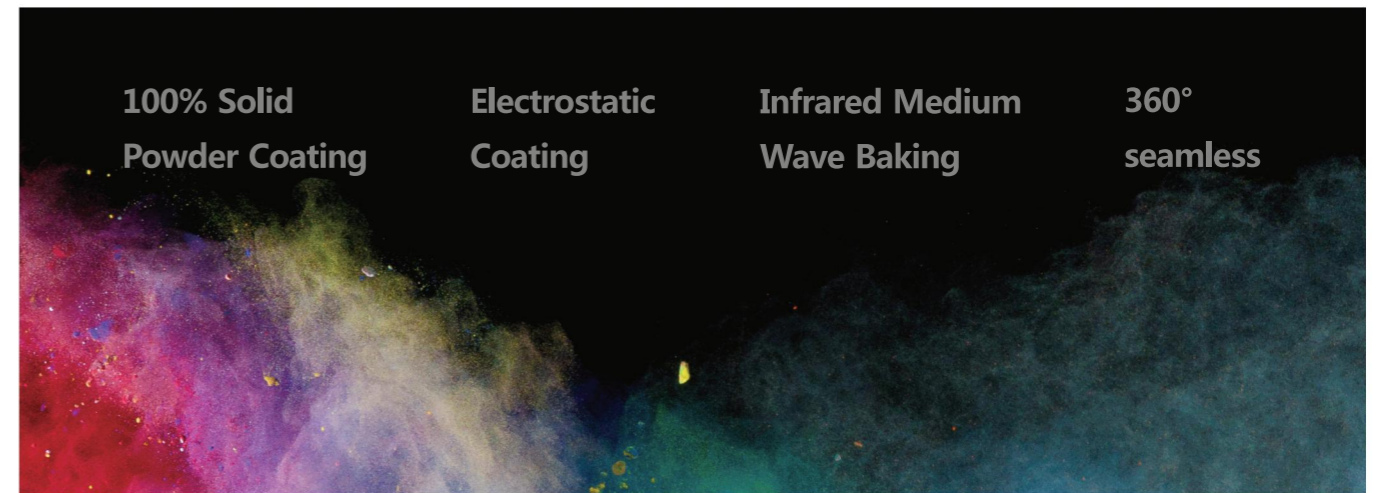
Design



Eco-friendly

## APPLICATION

5.1 POWDER COATED MDF



100% Solid  
Powder Coating

Electrostatic  
Coating

Infrared Medium  
Wave Baking

360°  
seamless

